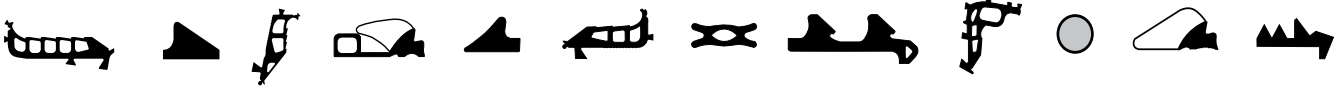


PRODUCT DATA SHEET

DS SOCKET RING 55/70



DS socket ring 55/70 is an integrated sealing element out of elastomer with dense structure according to be used in concrete manholes for the tight connection of spigot ends from stoneware pipes with socket K type according to DIN EN 295-1, connection system C.

- DS socket ring 55/70 is tightly embedded into the manhole base wall. For this a number of socket formers are necessary, which can be taken off after curing of the concrete.
- DS socket ring 55/70 can be delivered in all diameters from DN 200 to DN 800 for stoneware pipes of normal and high load series, e.g. stoneware pipes CeraDyn, CeraLong and CeraCare.
- DS socket ring 55/70 is available in two dimensions:
 - with 55 mm width for DN 200 to DN 500
 - with 70 mm width for DN 600 and higher, but also useable for smaller diameters with corresponding socket formers.

SPECIAL ADVANTAGES

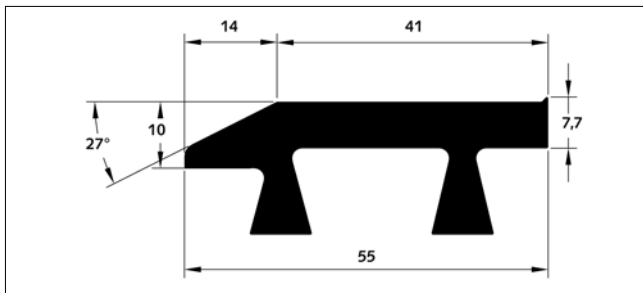
- DS socket ring 55/70 can be connected securely and water tight to the manhole base part by its anchoring ribs (labyrinth seal)
- With higher number of pieces higher costs for forms will be more than compensated by the good price of DS socket ring.

MATERIAL

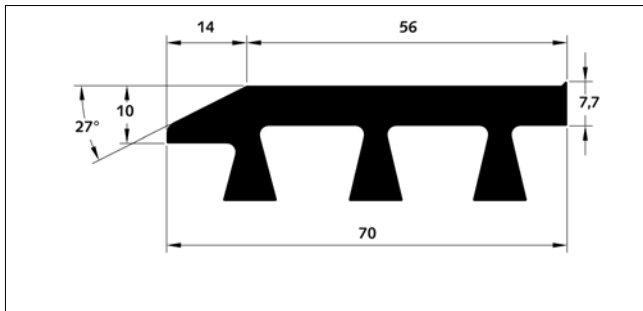
DS socket 55/70 is produced from styrene-butadiene rubber (SBR), hardness 70+5 IRHD. The material resists the usual stresses caused by sewage.



CROSS SECTIONS (All Dimensions in mm)

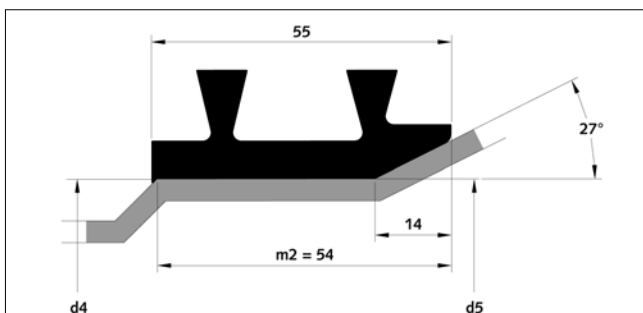


DS socket 55

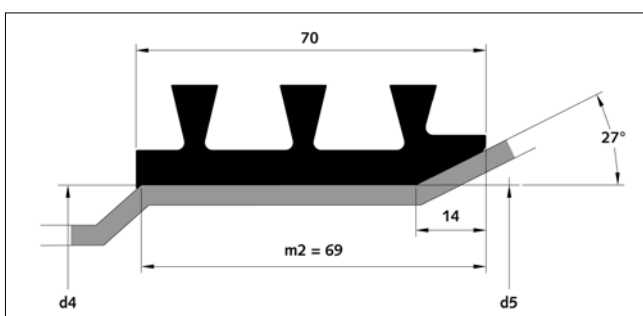


DS socket 70

DIMENSIONS OF THE SOCKET (All Dimensions in mm)



Example for the manhole integration DS Socket 55



Example for the manhole integration DS Socket 70

CROSS SECTIONS (All Dimensions in mm)

In order to keep the expenses for socket formers as low as possible, constructions, which consist of a core and a socket ring, have proved themselves. Only the socket ring stays until the curing of the concrete, the core is taken off immediately.

Normal load range(N)				High load range (H)			
DN	d4 ± 0,5	d5 ± 0,5	m2 min	DN	d4 ± 0,5	d5 ± 0,5	m2 min
-	-	-	-	200 H	275,0	276,1	50,0
250 N	317,5	318,4	50,0	250 H	341,5	342,6	50,0
300 N	371,5	372,4	50,0	300 H	398,5	399,6	50,0
350 N	433,5	434,4	50,0	-	-	-	-
400 N	507,5	508,4	50,0	400 H	515,5	516,5	50,0
-	-	-	-	450 H	579,0	579,9	50,0
500 N	605,0	605,9	55,0	500 H	637,0	638,1	55,0
600 N	720,0	721,1	60,0	600 H	758,0	759,1	60,0
-	-	-	-	700 H	892,0	893,1	60,0
-	-	-	-	800 H	1001,5	1002,5	60,0

	Normal load range(N)		High load range (H)	
	DN	SL in mm	DN	SL in mm
MU 55/70	-	-	200 H	895,0
MU 55/70	250 N	1025,0	250 H	1090,0
MU 55/70	300 N	1195,0	300 H	1275,0
MU 55/70	350 N	1390,0	-	-
MU 55/70	400 N	1620,0	400 H	1645,0
MU 55/70	-	-	450 H	1845,0
MU 55/70	500 N	1925,0	500 H	2025,0
MU 70	600 N	2285,0	600 H	2410,0
MU 70	-	-	700 H	2830,0
MU 70	-	-	800 H	3170,0



Values and properties shown in diagrams and tables are not subject to any guarantees. Our warranty is limited to the values and properties as required by the relevant standards. Our literature, data sheets and recommendations represent our knowledge at the time of printing but are in no way legally binding on us. Our "General Conditions of Sale" apply to all sales.